
XDS Rapid Content™ / Liquid™ Analyzer Spare Parts Manual

1025814 / Rev. 2



Information may be changed or updated without notice. The latest version is found at www.foss.dk.

Revision	Date of Issue	Revised Material
1	2005-08-30	First issue
2	2009-08-03	New part no. XDS lamp assy.

NOTE: Please note that all information is liable to change without prior notice.

Please inform Technical Information Group at the address given below, if you have any opinions about or proposals for changes to this manual.

Technical Information Group

e-mail tig@foss.dk

FOSS Analytical AB, Box 70, SE-263 21 Höganäs, Sweden

Tel Int +46 42 361500, Fax +46 42 340349

Table of Contents

1	General	1
2	XDS RCA/RLA	2
2.1	Spare Parts	2
2.2	Parts Illustrations	3

1 General

This document contains Spare Parts for XDS RCA/RLA.

Note!

Please read Safety Precautions and Warranty Statement in the Service Manual prior to maintenance or exchange of spare parts.

2 XDS RCA/RLA

2.1 Spare Parts

Pos.	Part No.	Description	Note
1	60009720	P/S 100-240v	See Fig. 1
2	60009906	Monochromator box assy.	See Fig. 4
3	60010056	Lamp controller PCB assy.	See Fig. 7
4	60010062	XDS motherboard assy.	See Fig. 2
5	60010065	Pwr dist assy.	See Fig. 1
6	60010177	RCA detector blk assy.	See Fig. 3
7	60010201	RCA window	See Fig. 12
8	60010258	Module control assy.	See Fig. 5
9	60010336	Amplifier board SP/LM	See Fig. 6
10	60022821	XDS lamp assy.	See Fig. 7
11	60005837	Optical interruptor	See Fig. 11
12	60010053	Hot swap vert	See Fig. 14
13	60010218	RCA boat window	See Fig. 9
14	60010254	Hot right assy.	See Fig. 15
15	60010320	SP detector blk assy.	See Fig. 6
16	60010339	Smart probe control board	See Fig. 16
17	60011485	Stepper motor	See Fig. 8
18	60011491	Linear motor	See Fig. 10
19	60011636	Roller idler	See Fig. 13

2.2 Parts Illustrations

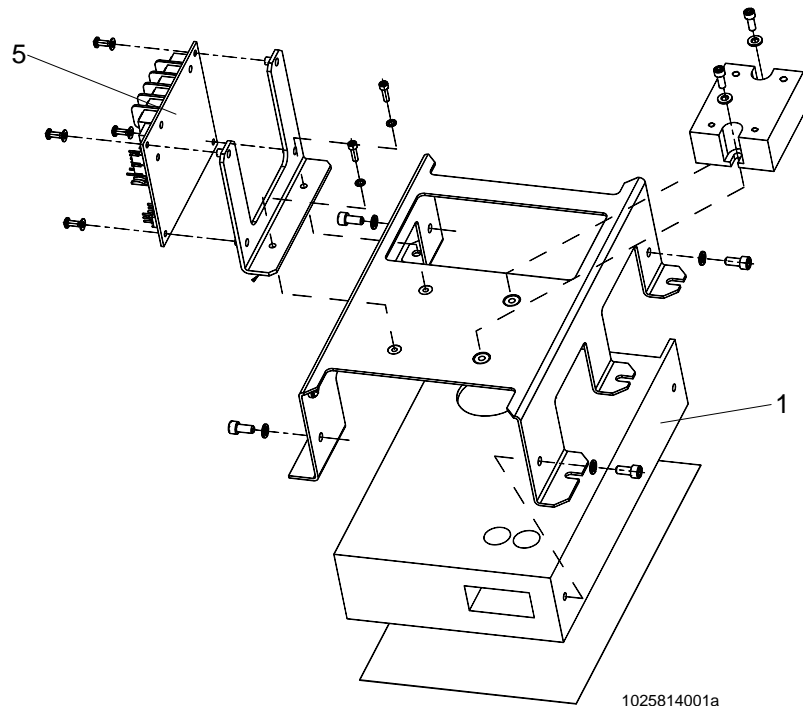


Fig. 1 Power distribution assembly

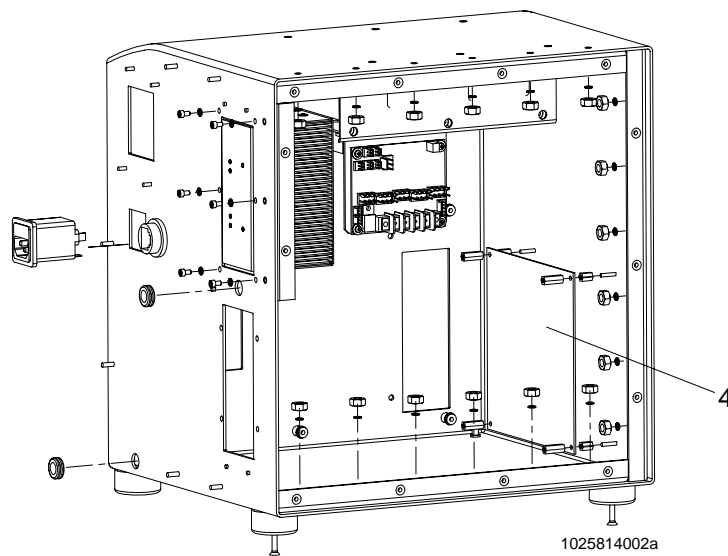
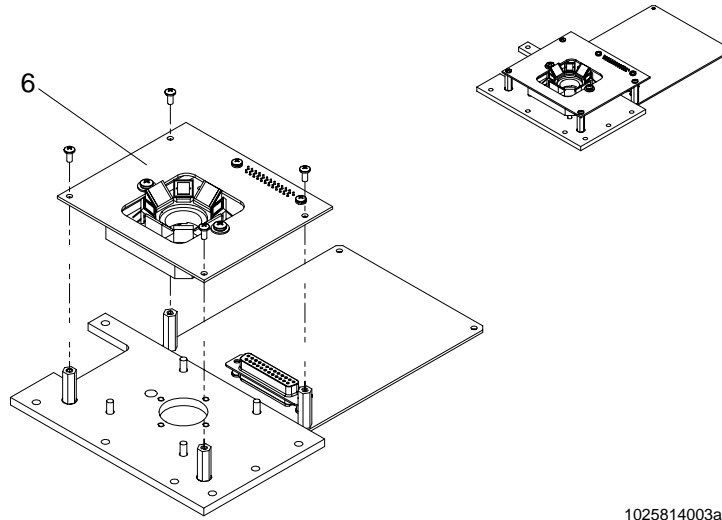
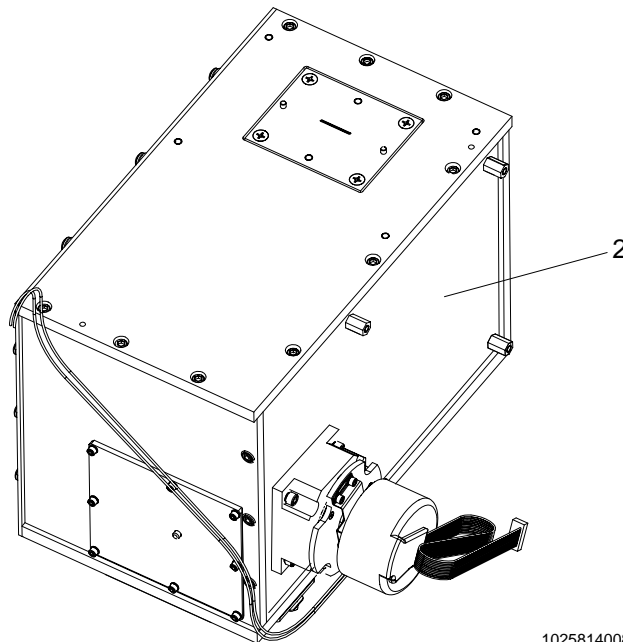


Fig. 2 Laboratory enclosure



1025814003a

Fig. 3 Heat sink plate assembly



1025814008a

Fig. 4 Monochromator box

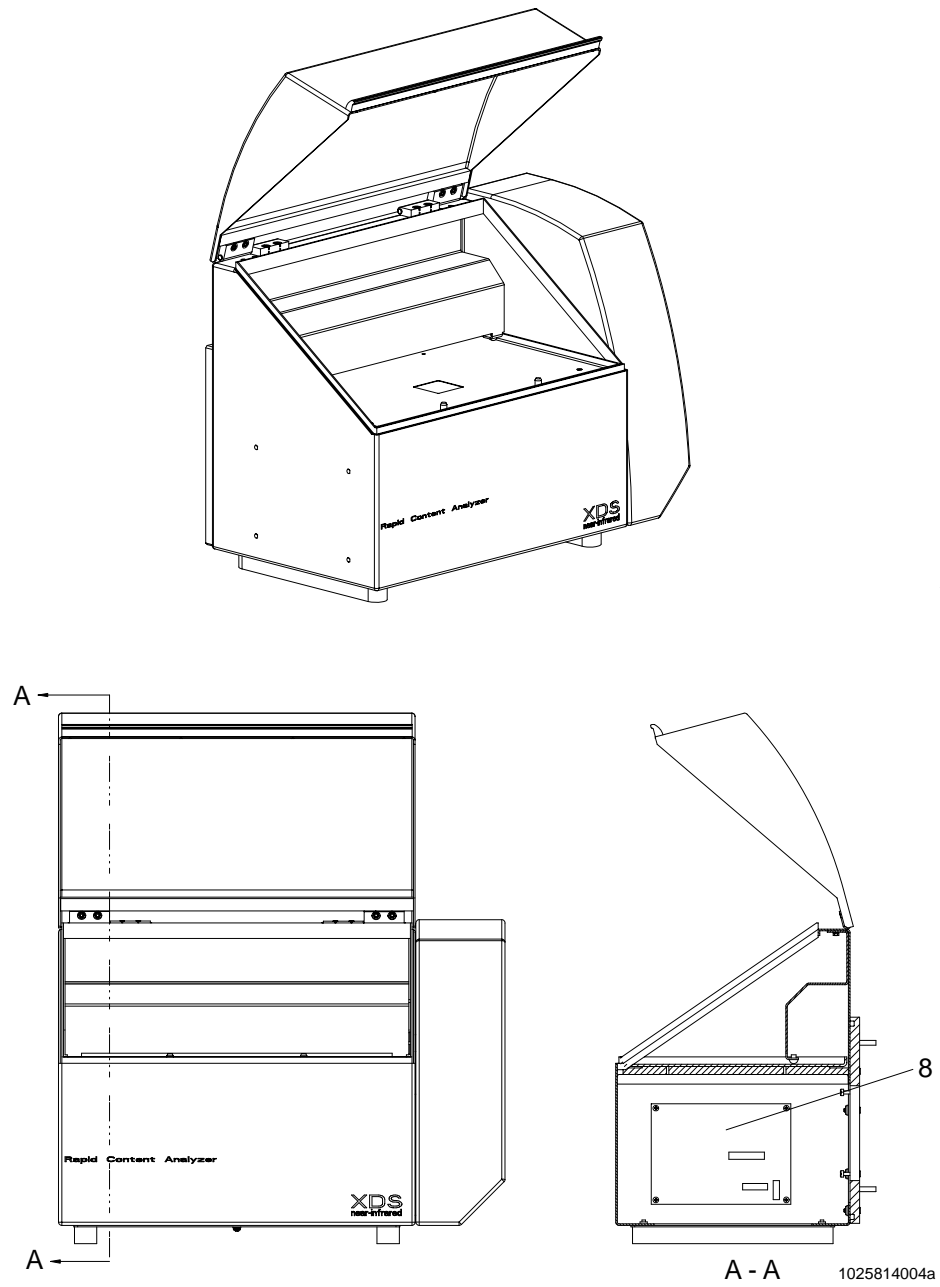
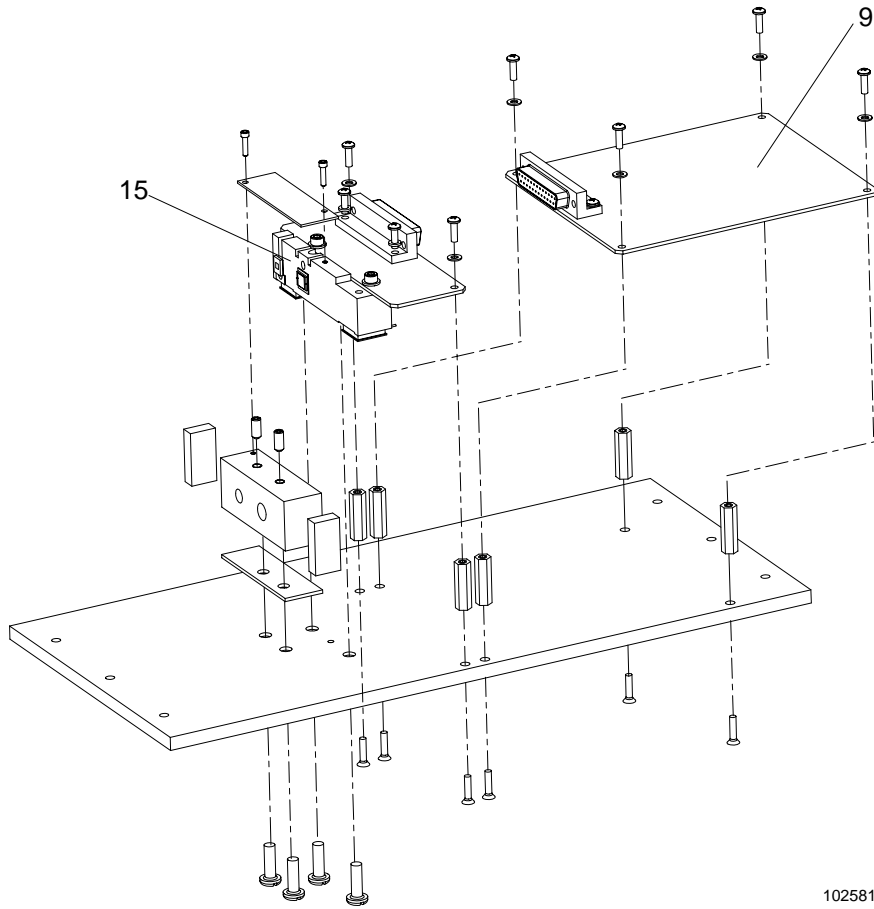
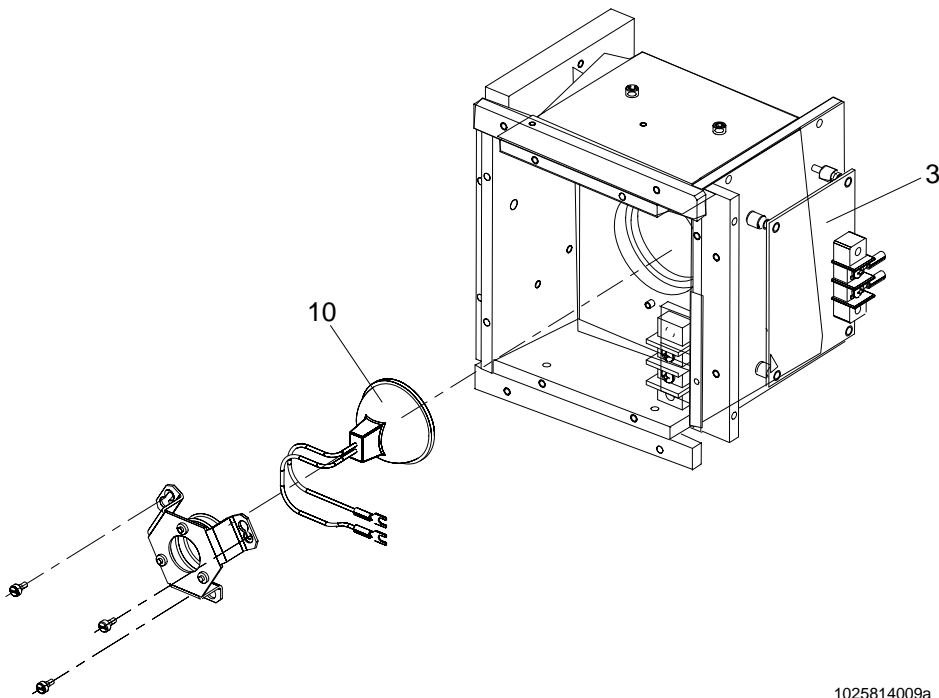


Fig. 5 Enclosure assembly



1025814005a

Fig. 6 Amplifier base plate



1025814009a

Fig. 7 Lamp controller PCB assembly

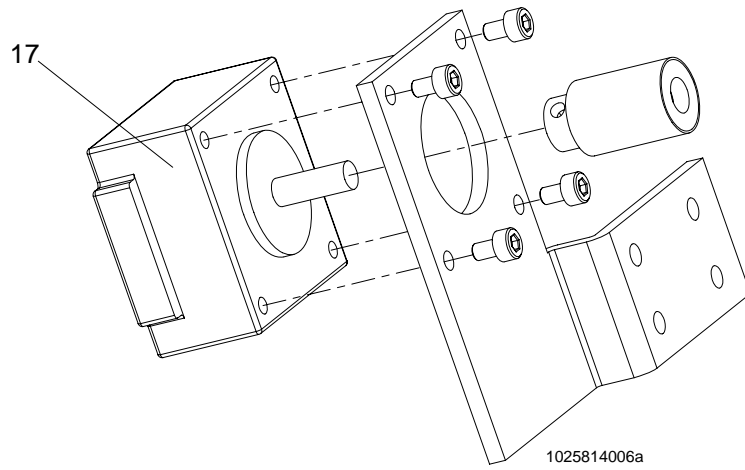


Fig. 8 Motor bracket assembly

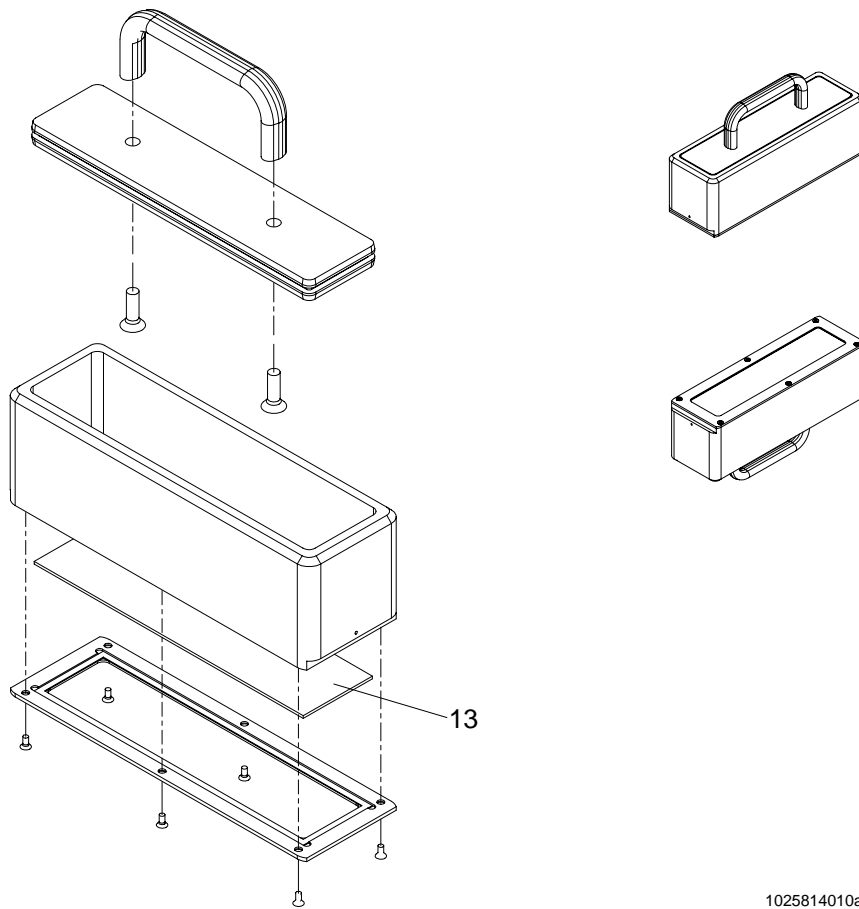
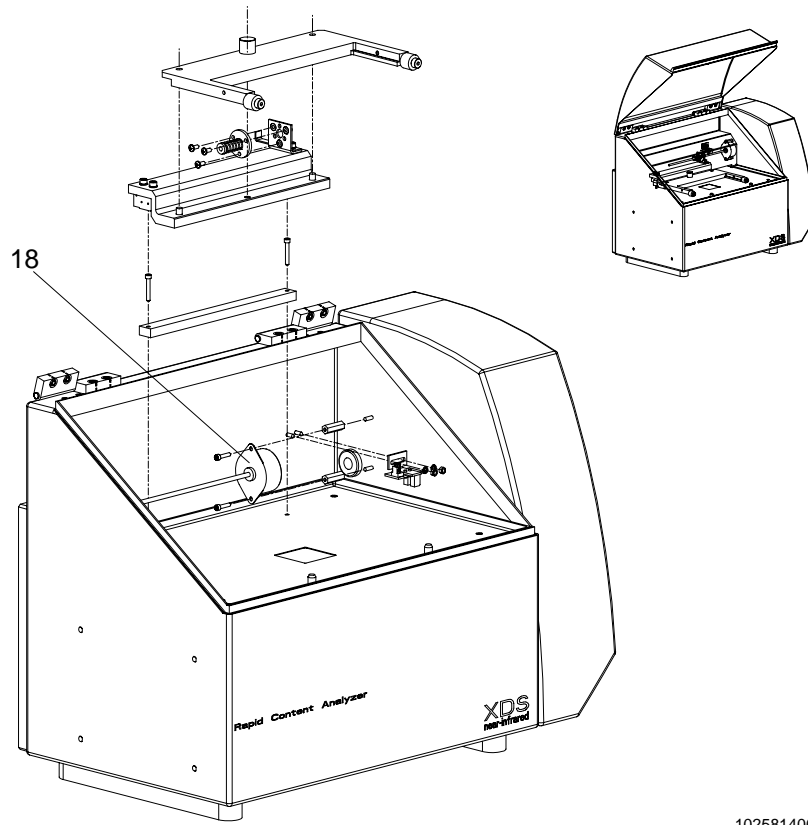
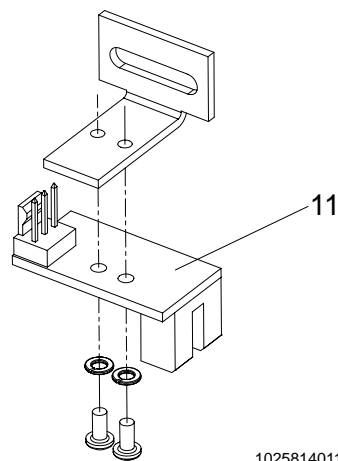


Fig. 9 Boat assembly



1025814007a

Fig. 10 Transport kit



1025814011a

Fig. 11 Optical interruptor assembly

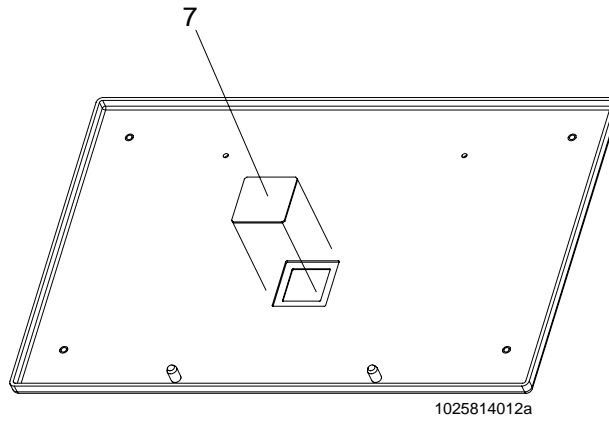


Fig. 12 Sample tray assembly

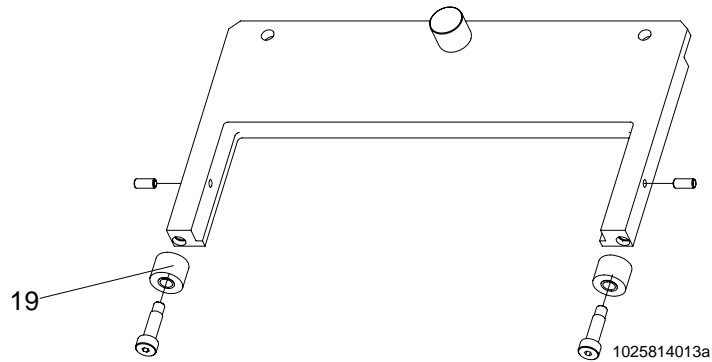
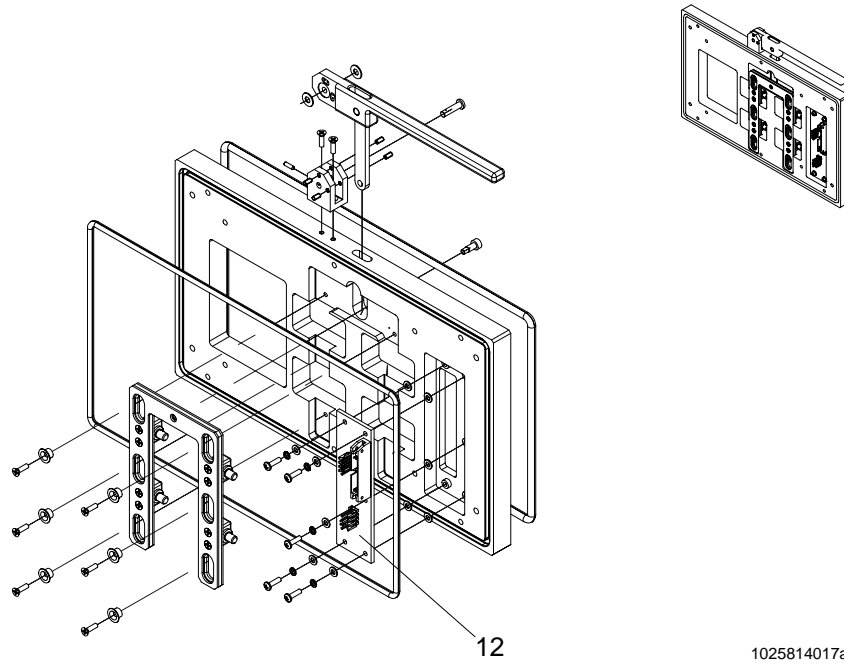
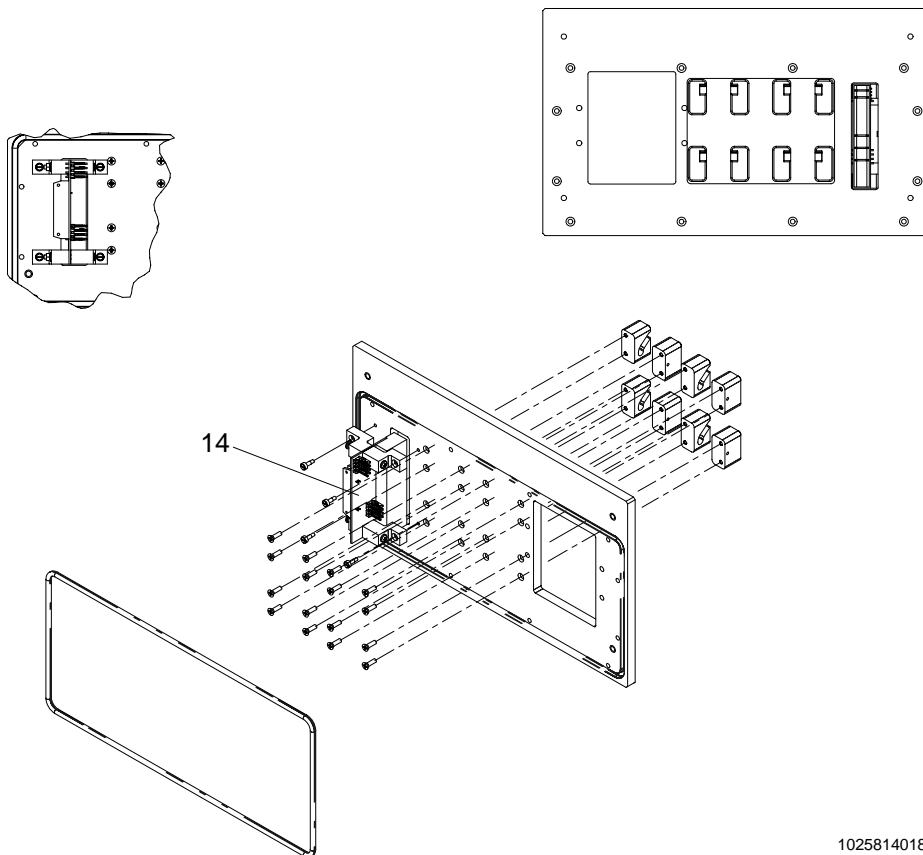


Fig. 13 Boat support assembly



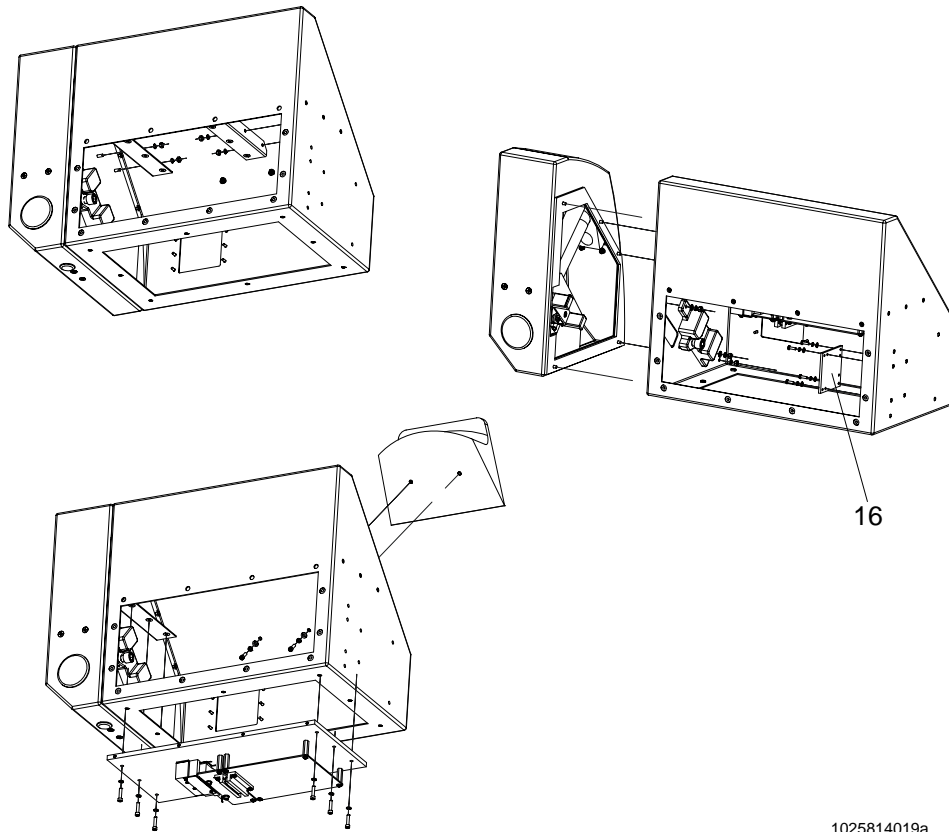
1025814017a

Fig. 14 Hot swap vert



1025814018a

Fig. 15 Hot right assembly



1025814019a

Fig. 16 Smart probe control board

